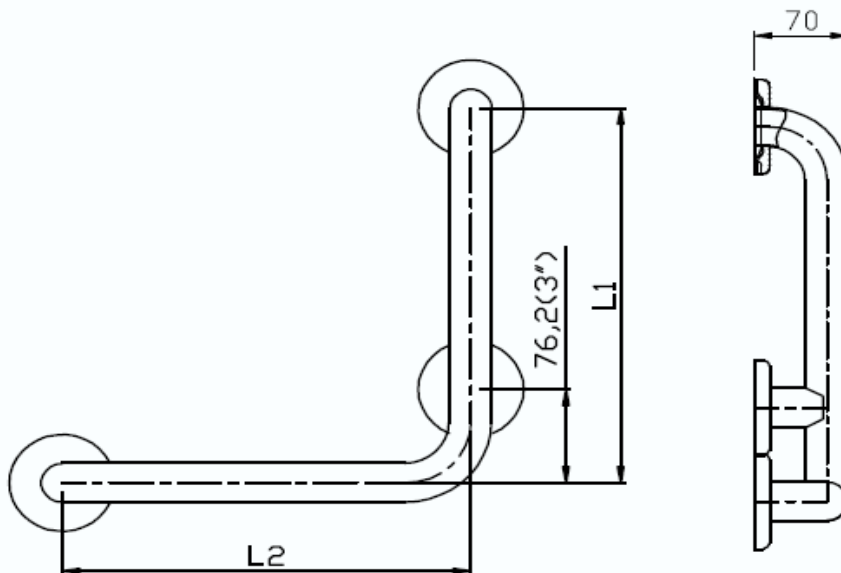
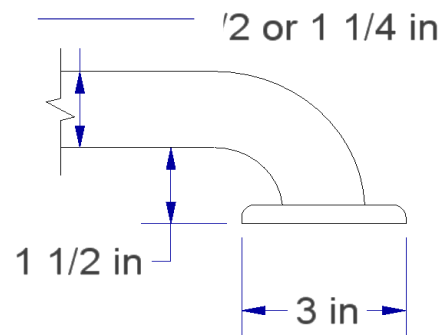


Vertical Angle Grab Bar (Left Hand)

- Material: 304 stainless steel
- Available Finishes: Satin Stainless (SA)
 Satin Peened (PN)
 Oil Rubbed Bronze (OB)
 Matte Black (MB)
 Powder White (PW)
- Dimensions:
 - Length (flange center, angle, to center): see table
 - Tube outside diameter: 1.25"
 - Tube walls: 18 gauge (1.2 mm)
- Flange cover: 14 gauge cover rotates into locked position to conceal flange mount plate and screws



	L1	L2	Product Numbers
12x12	12"	12"	BAR-VL12-TW-125-XX
16x16	16"	16"	BAR-VL16-TW-125-XX
18x18	18"	18"	BAR-VL18-TW-125-XX
30x30	30"	30"	BAR-VL30-TW-125-XX
32x32	32"	32"	BAR-VL32-TW-125-XX
16x32	32"	16"	BAR-VL1632-TW-125-XX

IMPORTANT INSTRUCTIONS

SAFETY NOTE: Concealed In-Wall support backing is ALWAYS REQUIRED for this product (not included) – and must be supplied and selected by a licensed installer/contractor to meet both weight bearing and local code requirements. **PRODUCT INSTALLATION SHOULD BE DONE BY A LICENSED INSTALLER/CONTRACTOR.**

CAUTION: Personal injury and/or property damage may result from improper wall support or mounting, which is not covered under warranty.

WARNING: Do NOT use this instruction sheet for grab bars with welded stud or internal threads.

IT IS ESSENTIAL TO MARK THE CENTERLINE DISTANCE BETWEEN THE TWO MOUNTING FLANGE PLATES ON EACH SIDE AS WELL AS THE DISTANCE FROM CENTER OF EACH MOUNTING PLATE TO THE FINISH FLOOR TO ASSURE PROPER ALIGNMENT.

INSTALLATION STEPS:

1. Confirm contents of box: Grab bar and 9 screws, which are stainless steel with Phillips head.
2. Tools & supplies needed: Phillips screw driver, pencil, drill, and silicone caulk.
3. Use the mounting flanges as a template, mark the center of screw hole locations.
4. Drill mounting holes.

IMPORTANT: MUST HAVE PROPER, CONCEALED, IN-WALL BACKING INSTALLED BY A LICENSED INSTALLATION PROFESSIONAL.

5. On the back of each flange, where it will touch the wall, apply a bead of silicone caulk around each screw hole.
6. Install the bar with the manufacturer's provided screws. After installing the bar, inspect each screw to ensure it is tight, straight and flush with the flange.

WARNING: Avoid damage to wall, tile, or fasteners by not over-tightening screws.

7. Twist the flange cover onto mounting flange plates.

Maintenance: Clean with mild soap and water.

Warranty – Full 1 year warranty for material defects and manufacturing defects.